

Figure 17. Radio Receiver R-390A/JRR, block diagram.

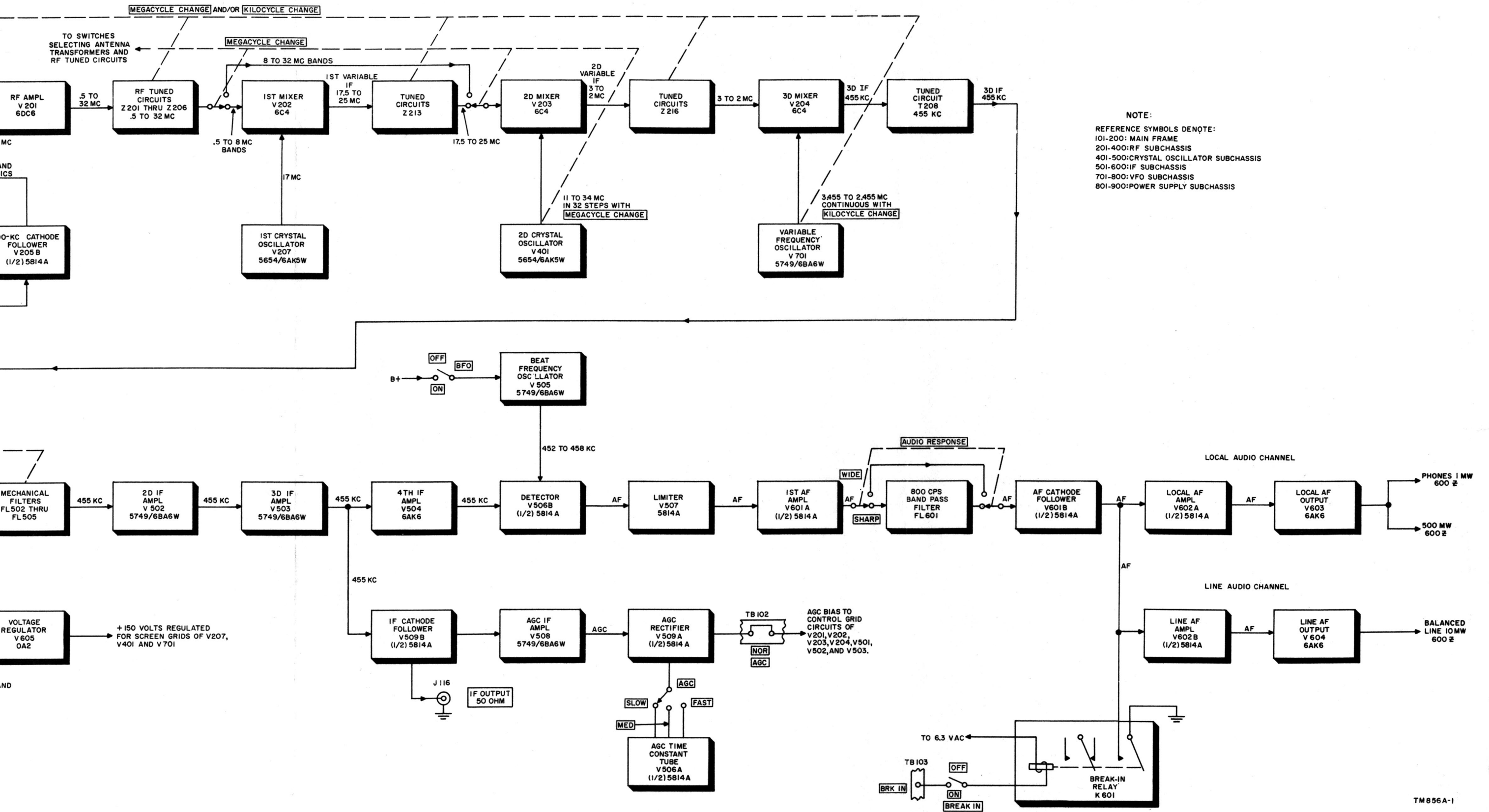


Figure 17. Radio Receiver R-390A/JRR, block diagram.

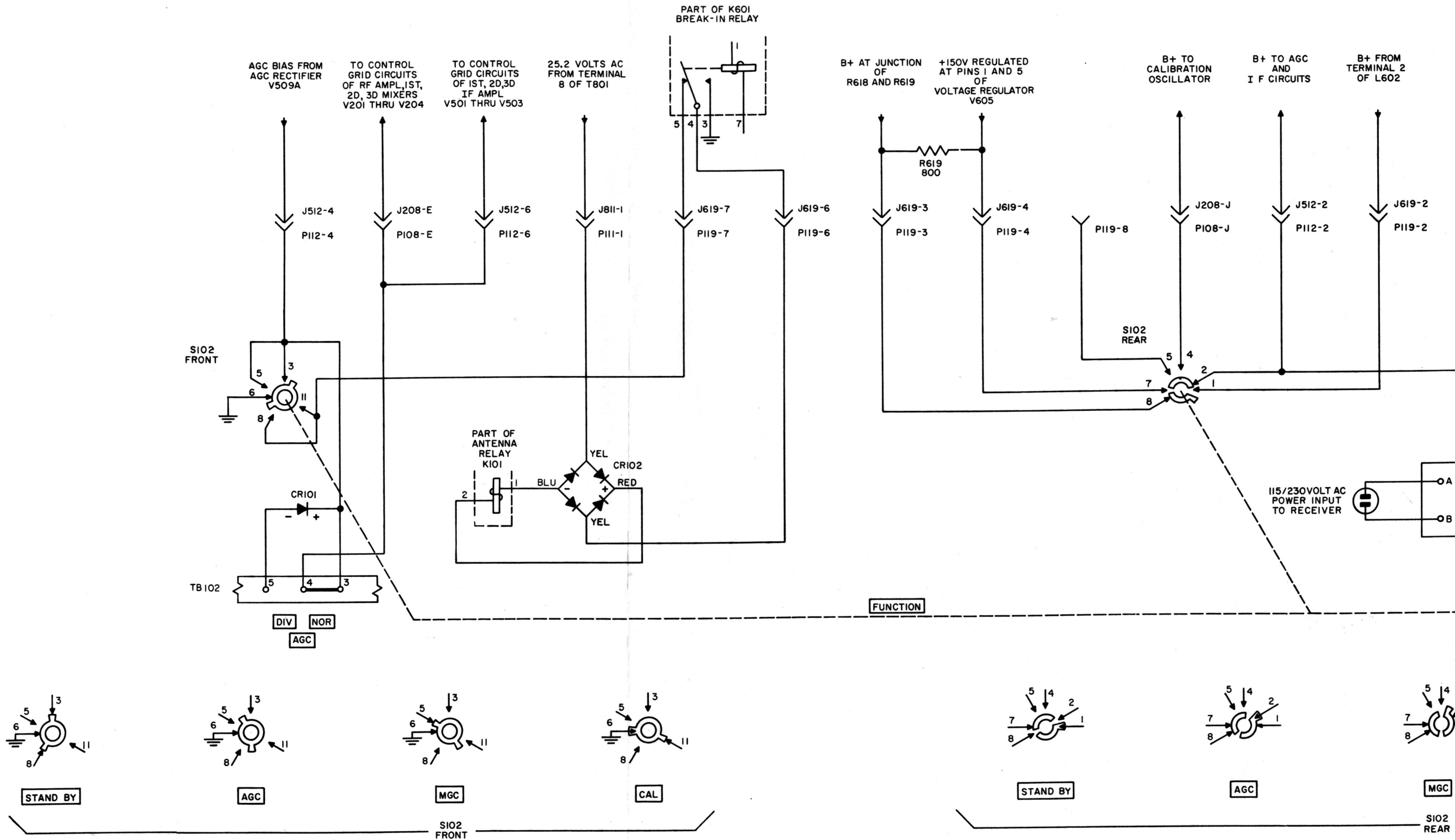


Figure 48. FUNCTION switch S102, schematic diagram.

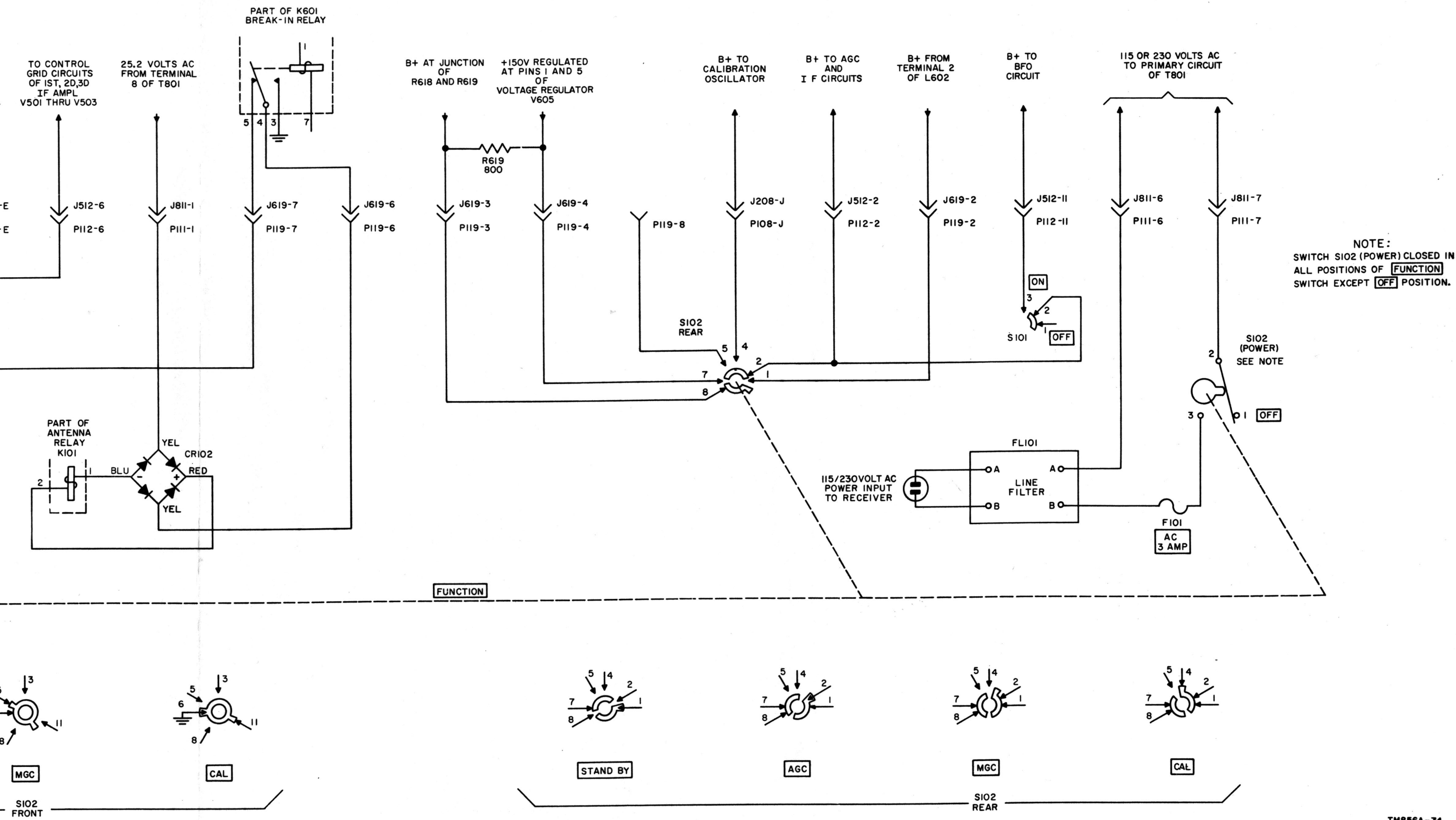


Figure 48. FUNCTION switch S102, schematic diagram.

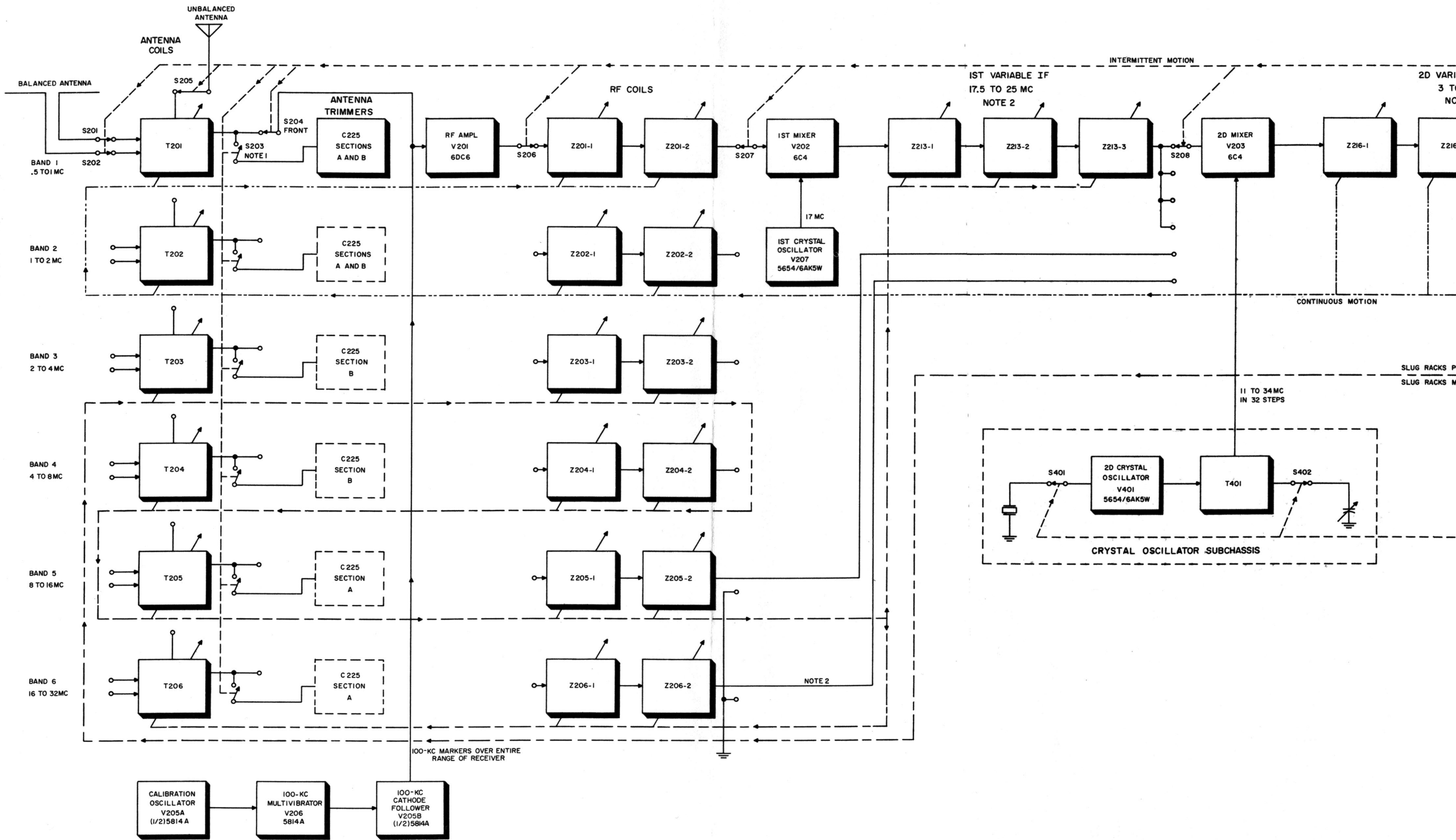


Figure 50. Tuning system, showing relationship of stages, block diagram.

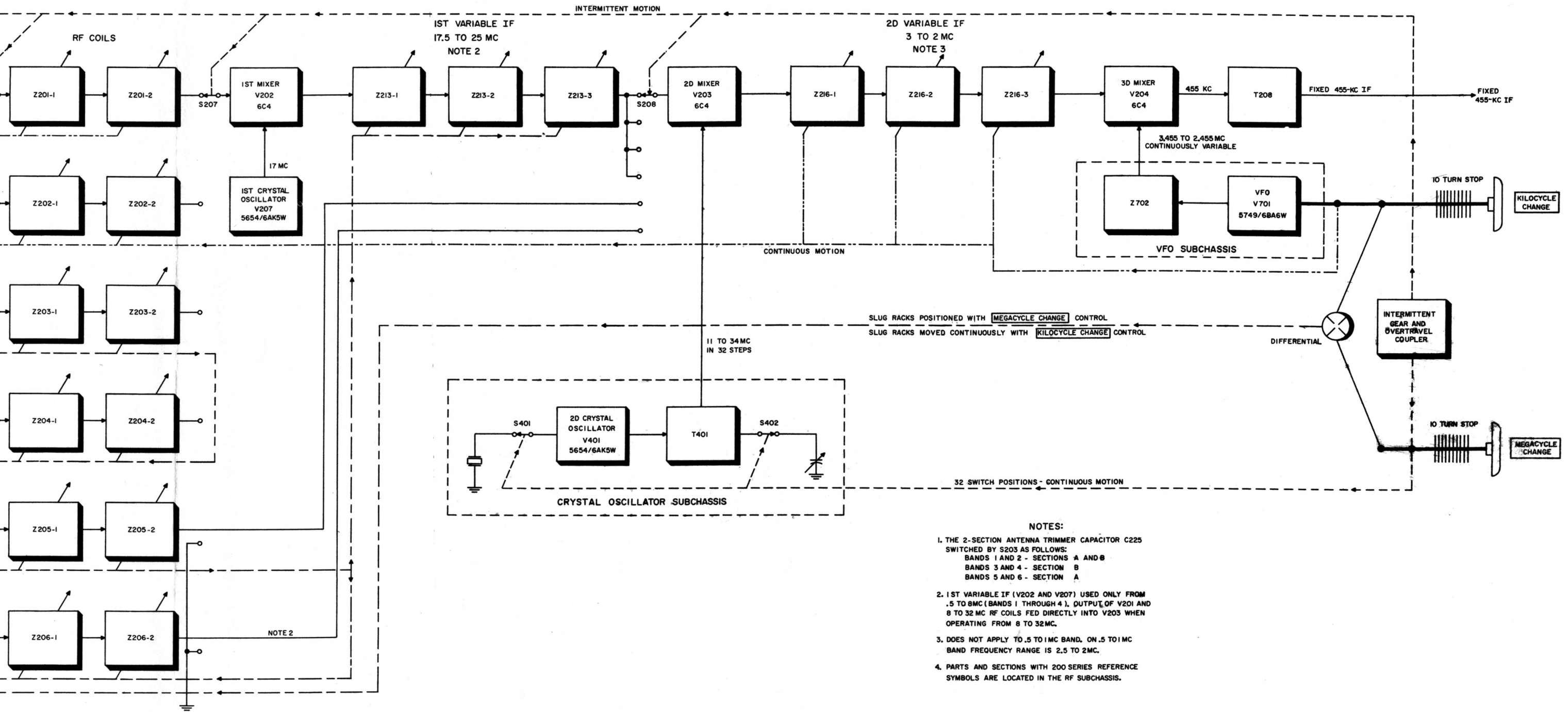
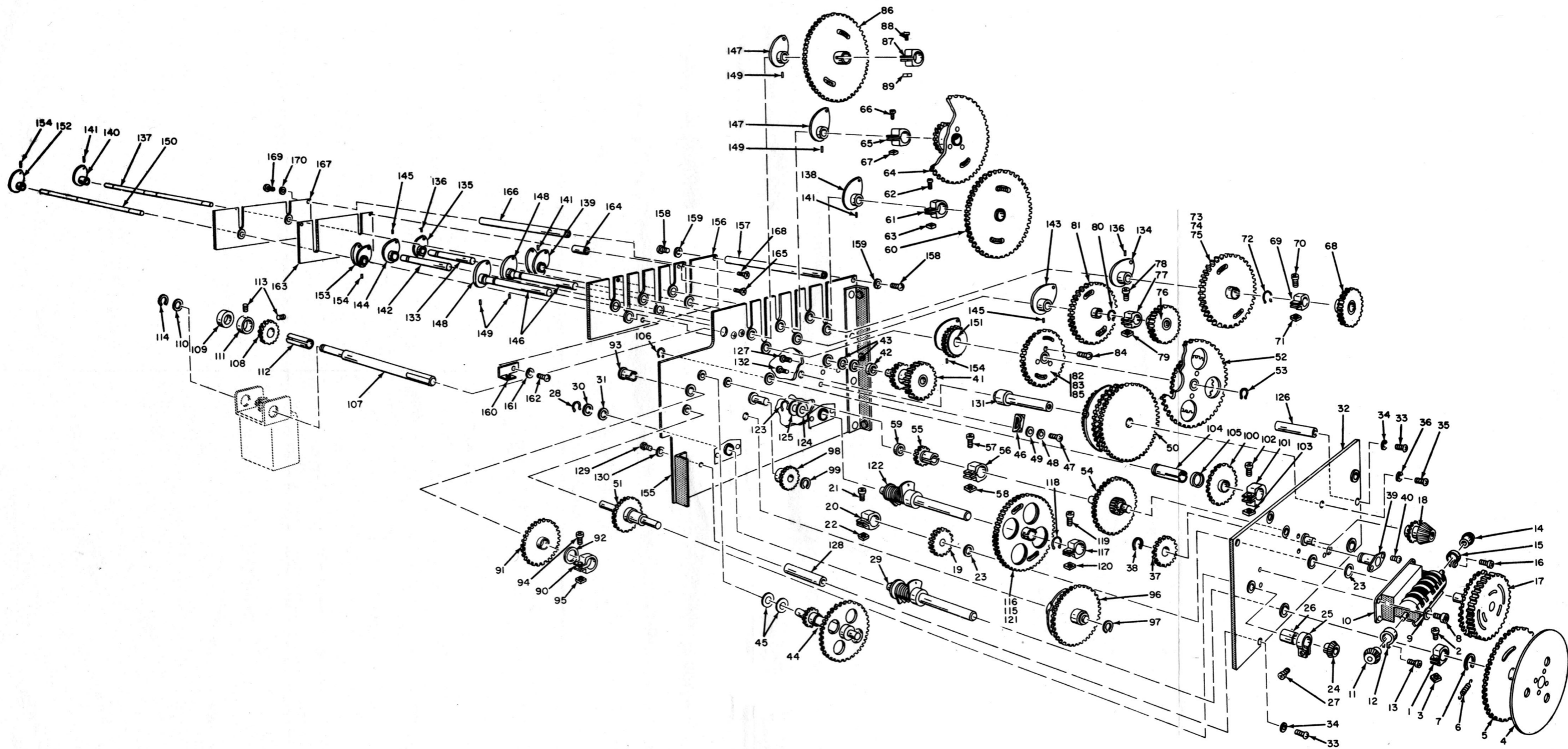


Figure 50. Tuning system, showing relationship of stages, block diagram.



TM856A-65

Figure 84. Rf gear train assembly, exploded view.

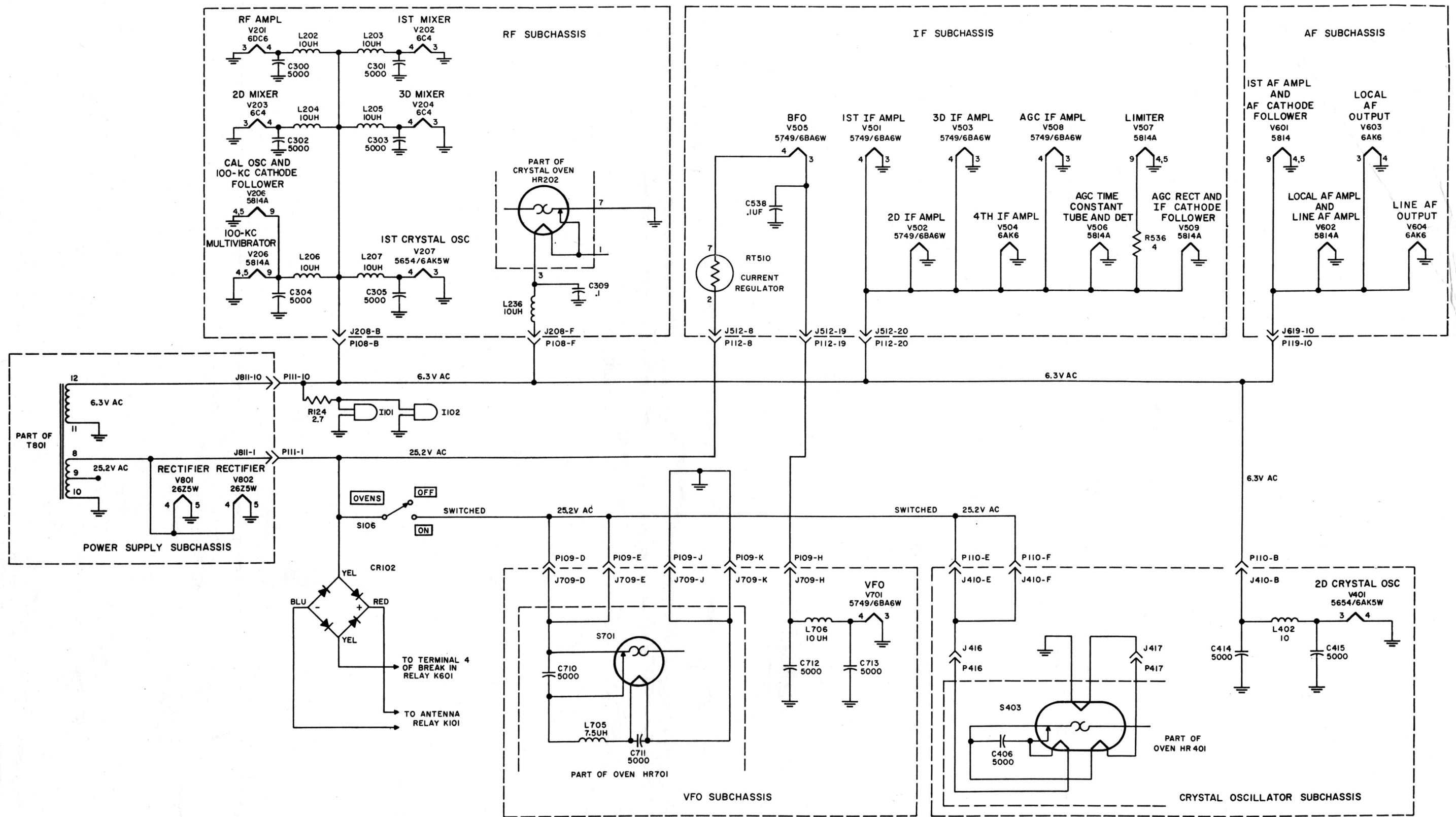
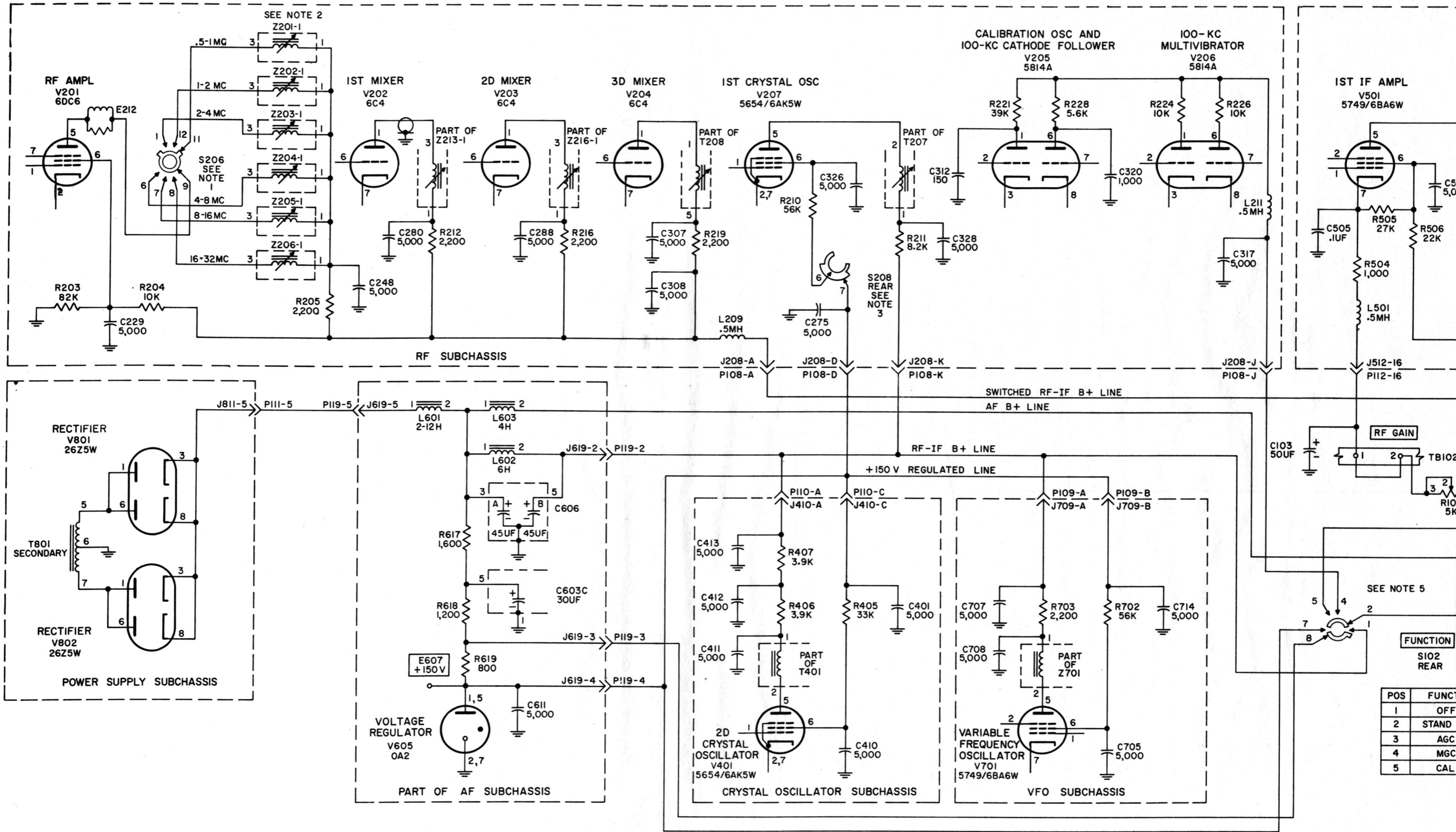


Figure 102. Filament and oven circuits, schematic diagram.



POS	FUNCTION
1	OFF
2	STAND BY
3	AGC
4	MGC
5	CAL

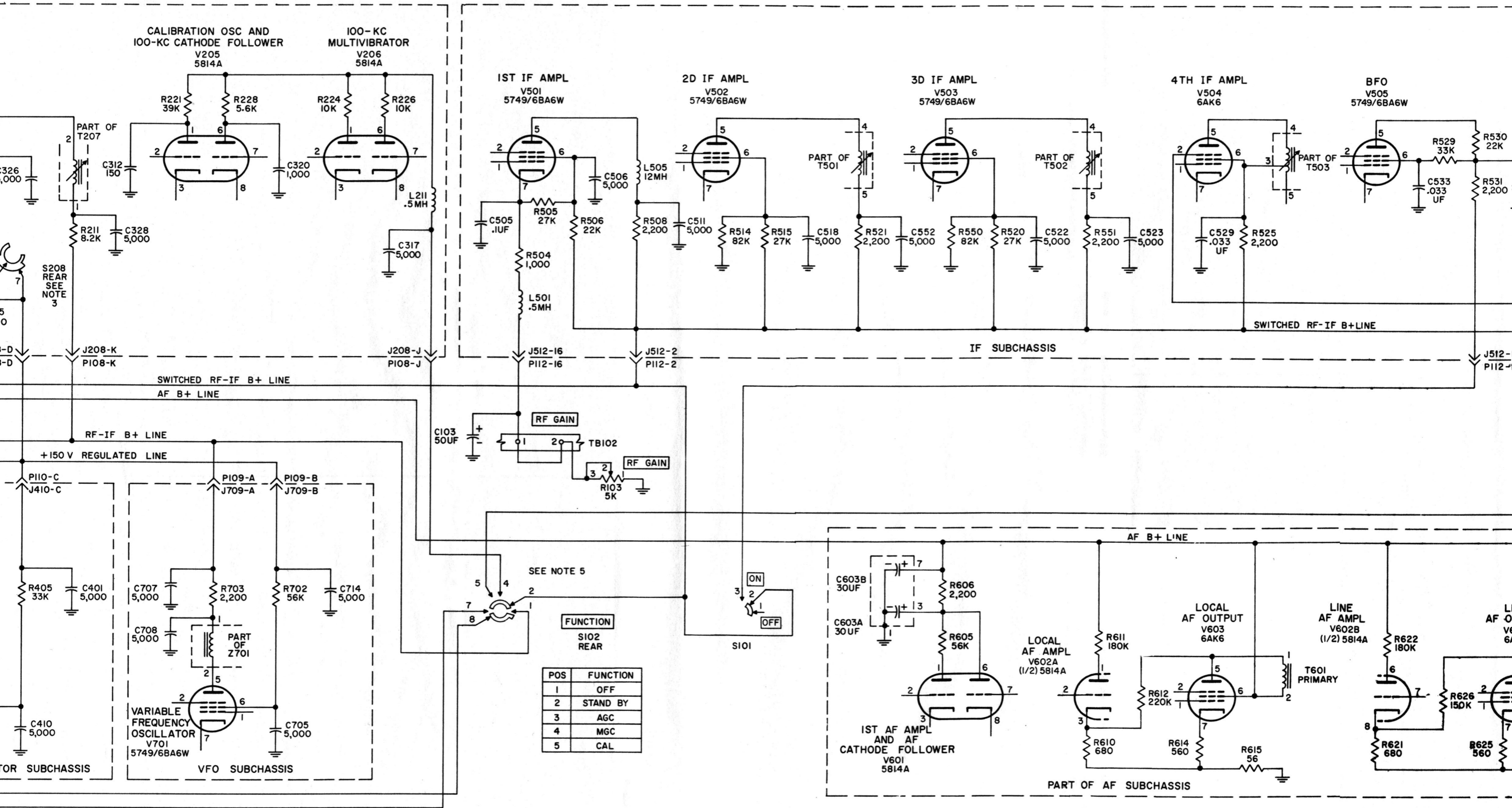
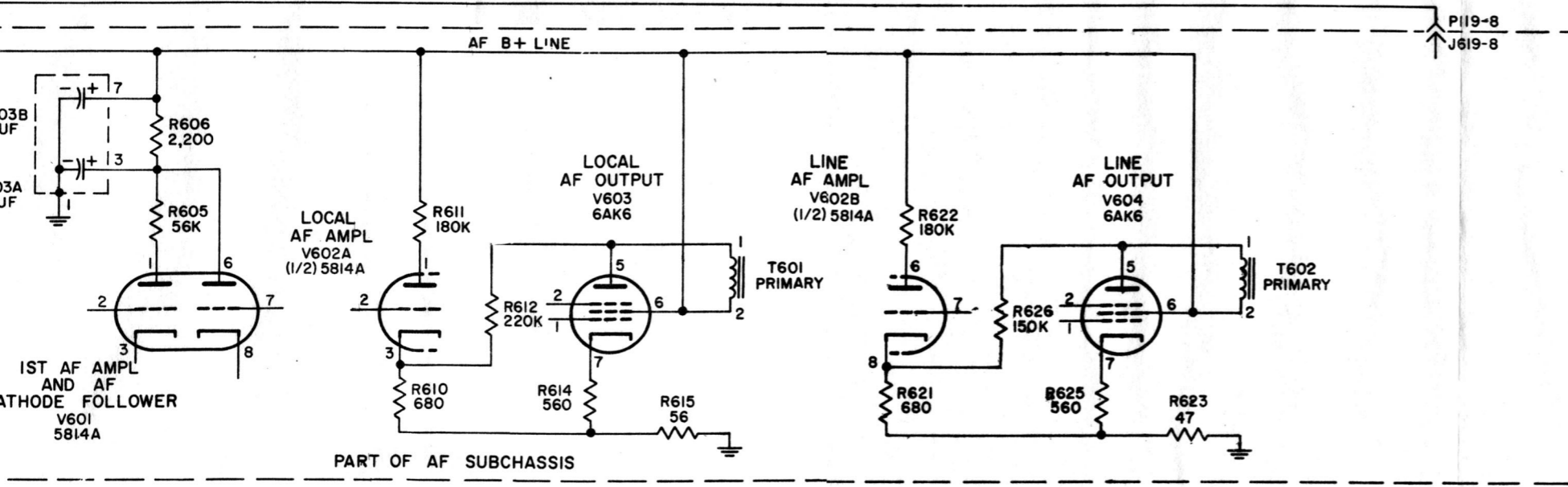
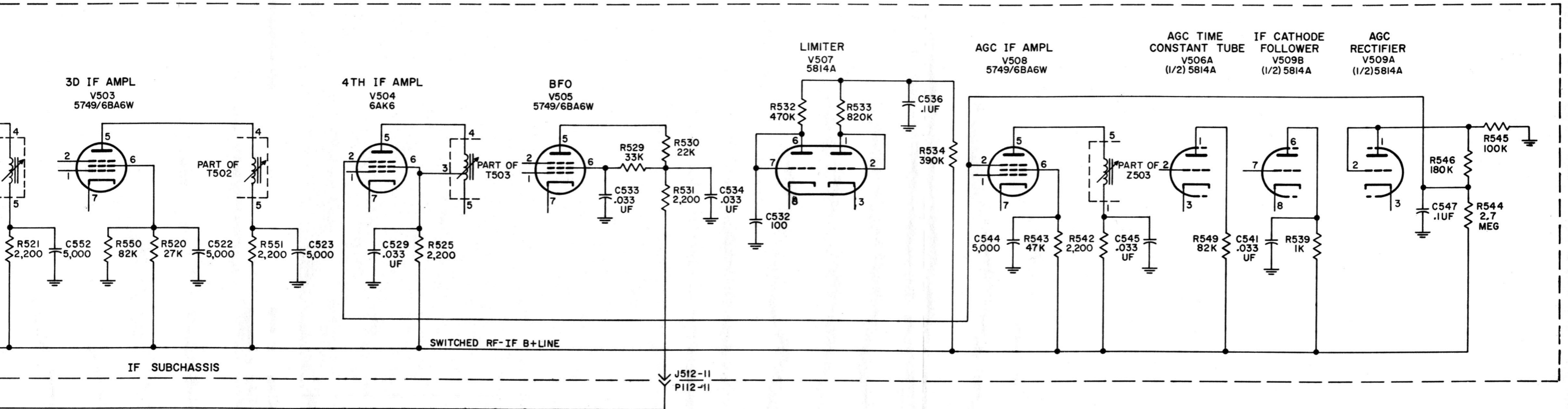


Figure 103. B+ circuits, schematic diagram.



- NOTES:**
1. SWITCH S206 SHOWN IN .5-1MC POSITION.
 2. Z201-1 THRU Z206-1 SHOWN IN PART ONLY.
 3. SWITCH S208 (REAR) SHOWN IN .5-1MC POSITION.
 4. VOLTAGES ON B+ LINES ARE APPROXIMATELY +225 VOLTS.
 5. SWITCH S102 (REAR) SHOWN IN **OFF** POSITION.

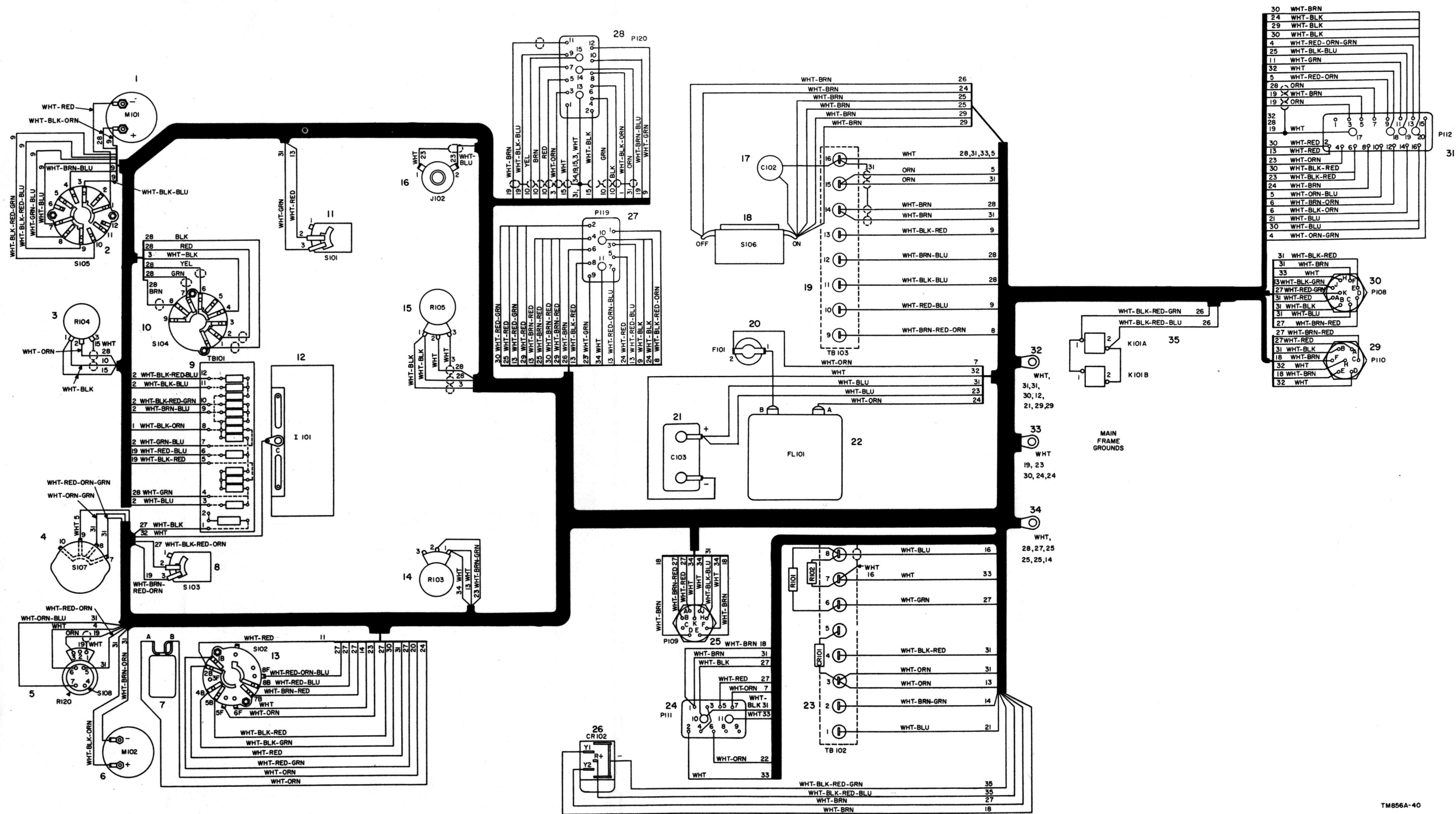


Figure 105. Main frame, wiring diagram.

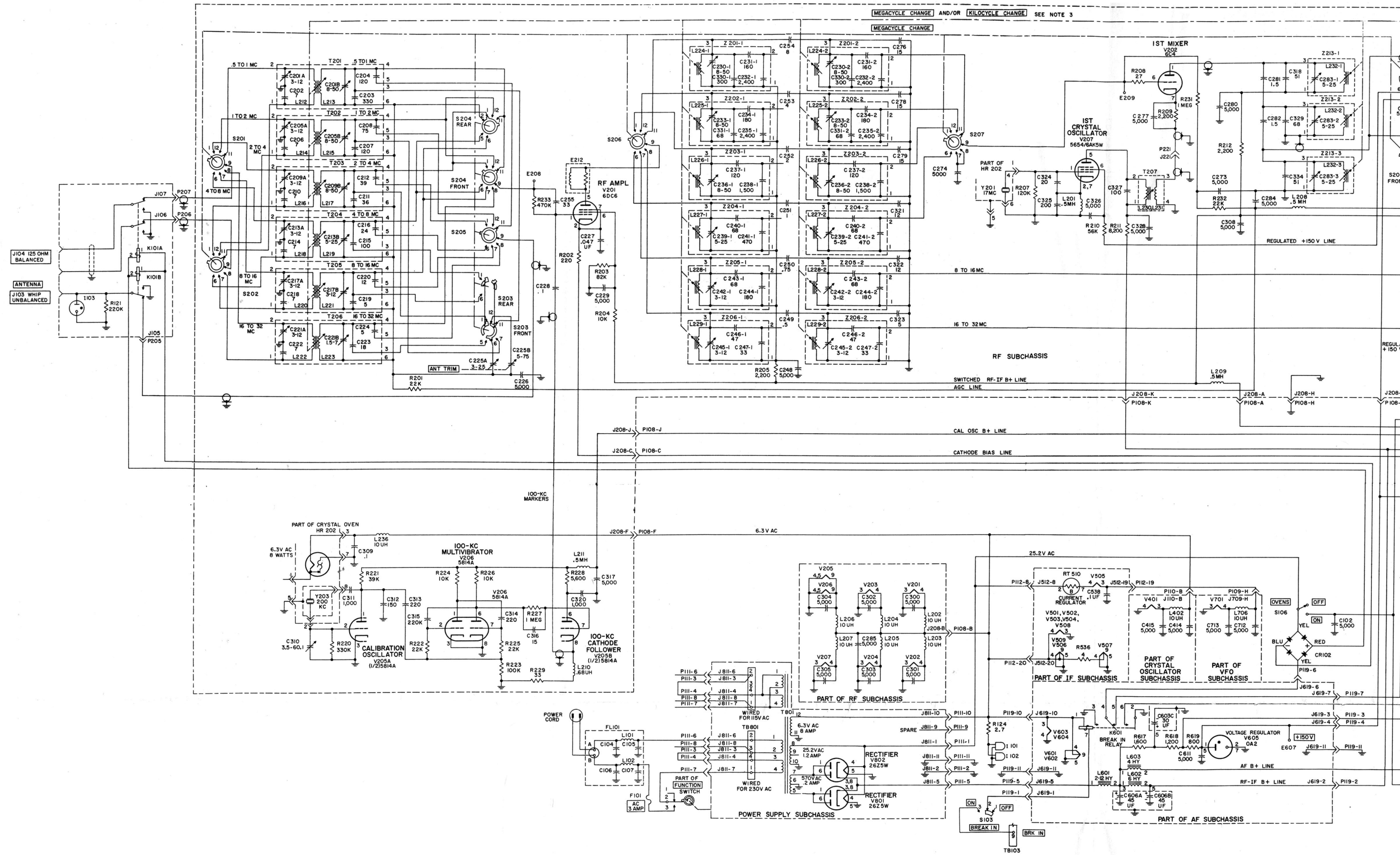


Figure 106. Radio Receiver R-390A/JURR, schematic diagram.

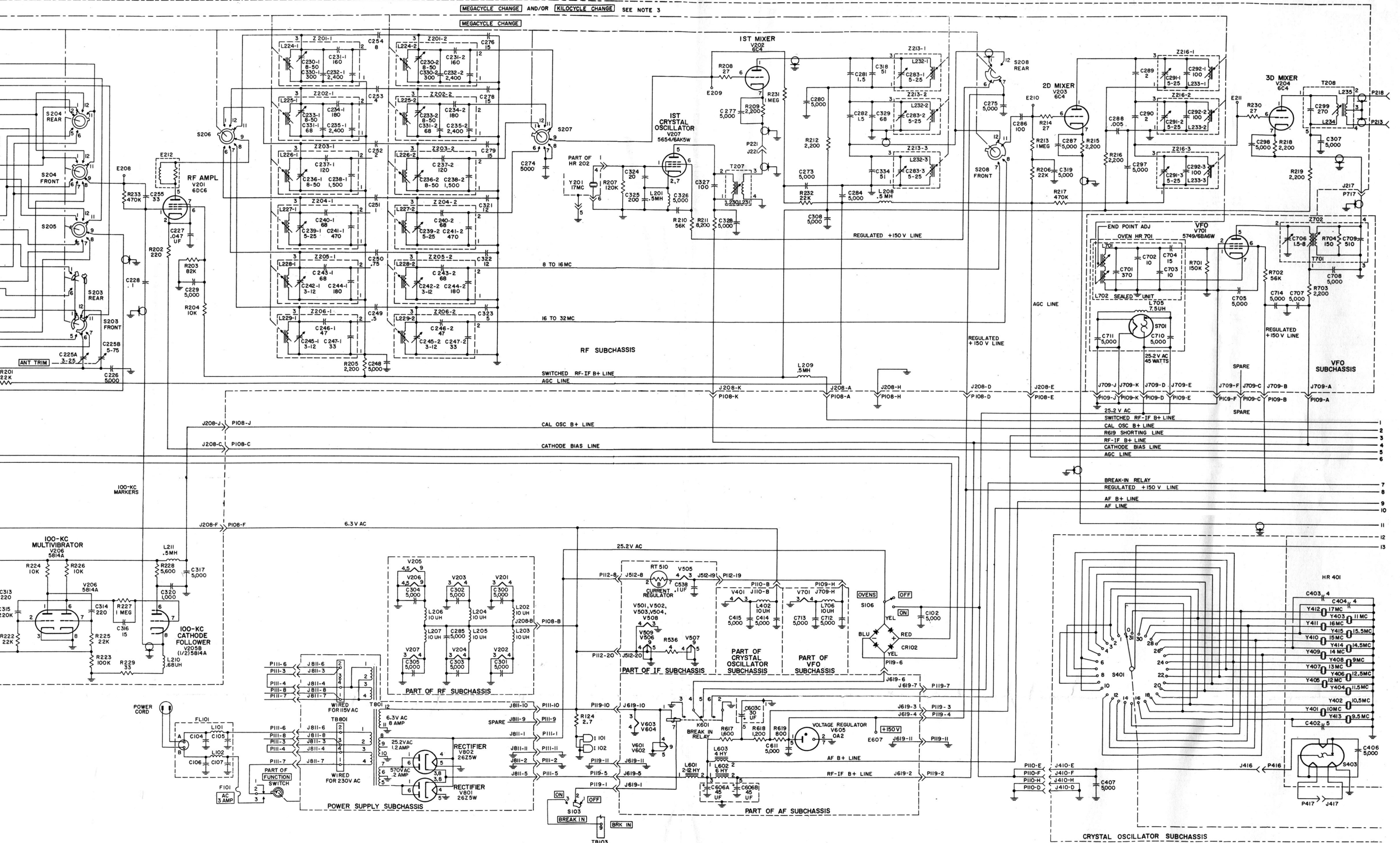


Figure 106. Radio Receiver R-390A/URR, schematic diagram.

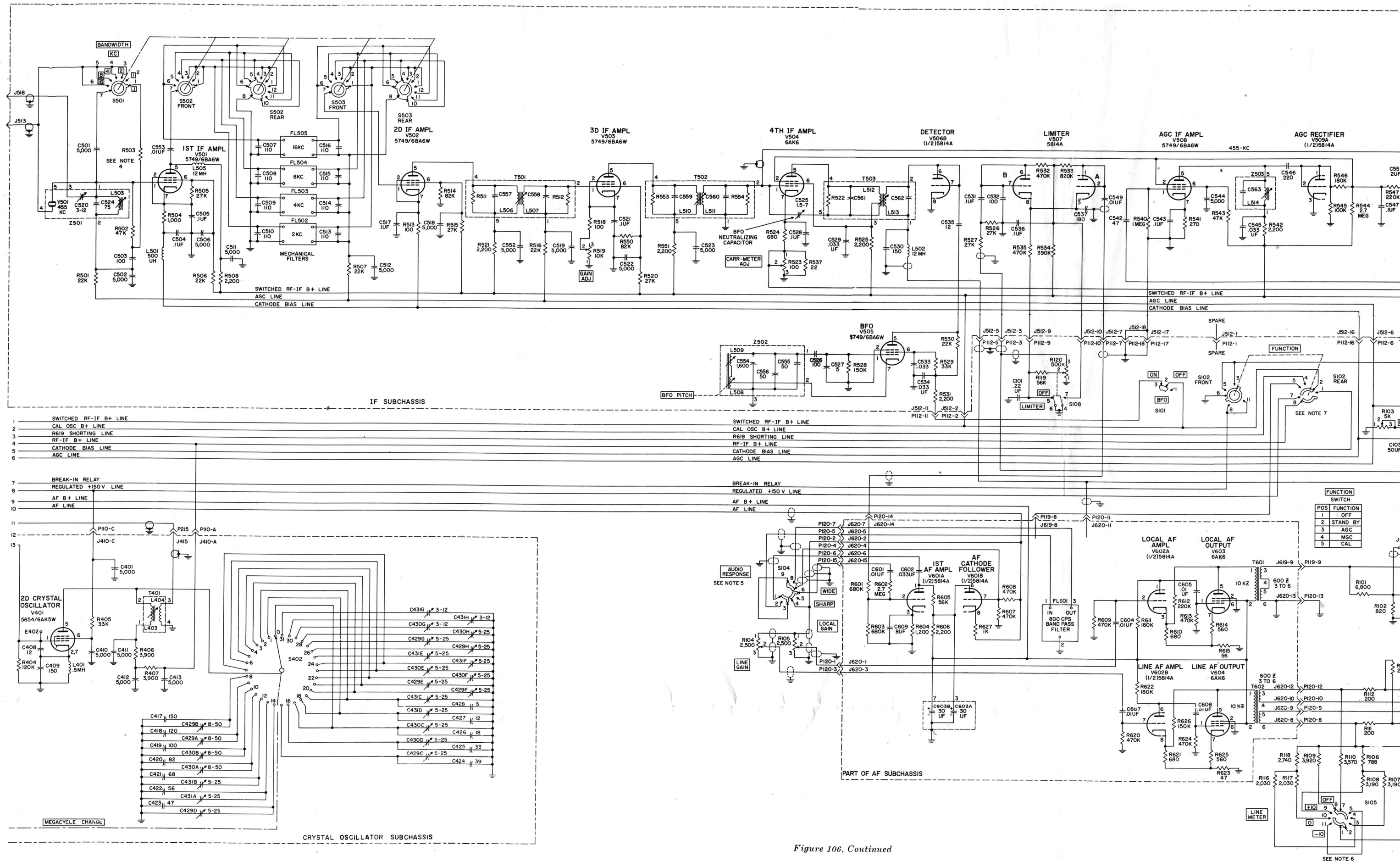
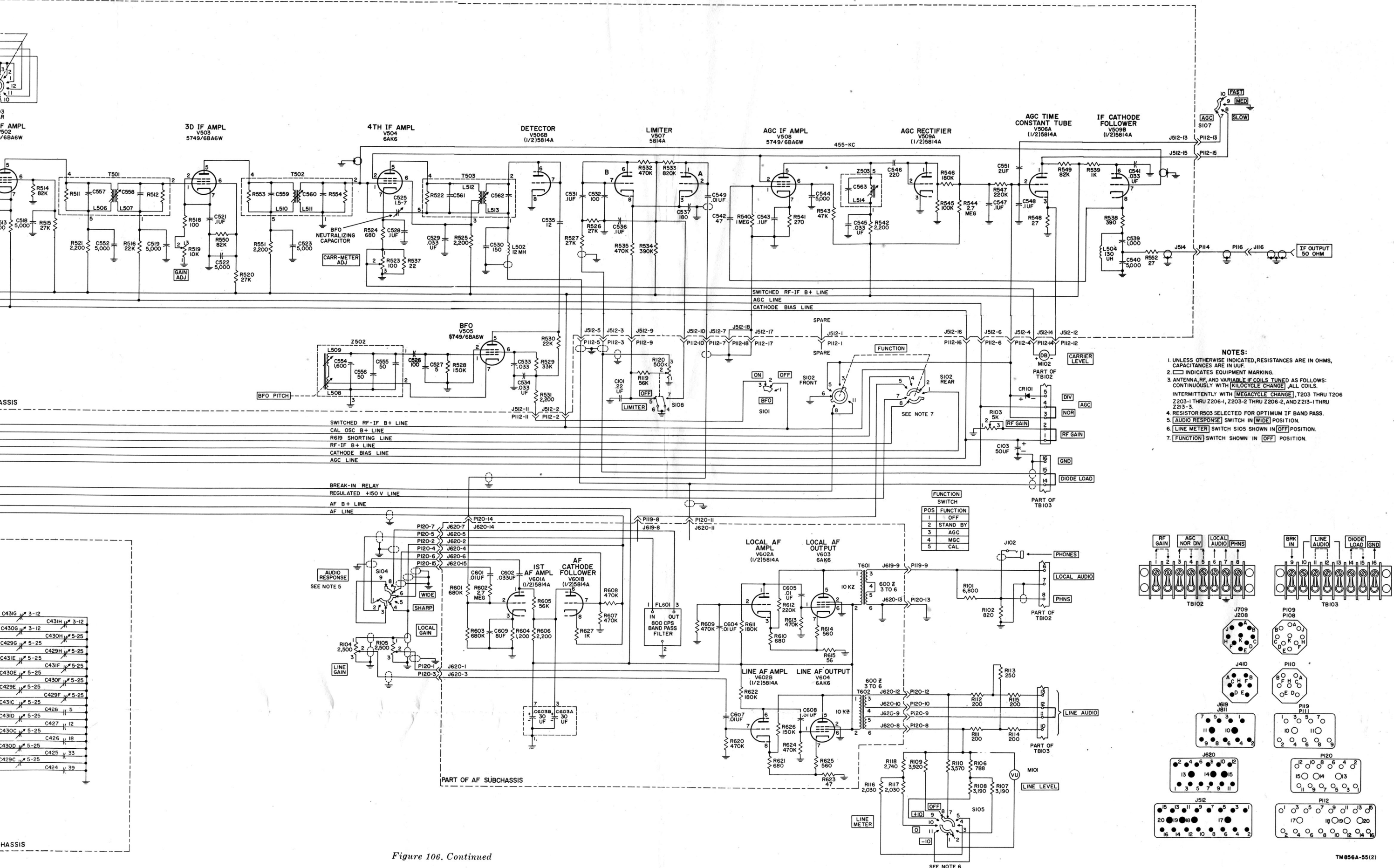


Figure 106. Continued

SEE NOTE 6



- NOTES:**
- UNLESS OTHERWISE INDICATED, RESISTANCES ARE IN OHMS, CAPACITANCES ARE IN UUF.
 - INDICATES EQUIPMENT MARKING.
 - ANTENNA, RF, AND VARIABLE IF COILS TUNED AS FOLLOWS: CONTINUOUSLY WITH [KILOCYCLE CHANGE], ALL COILS. INTERMITTENTLY WITH [MEGACYCLE CHANGE], T203 THRU T206 2203-1 THRU Z206-1, Z203-2 THRU Z206-2, AND Z213-1 THRU Z213-3.
 - RESISTOR R503 SELECTED FOR OPTIMUM IF BAND PASS.
 - [AUDIO RESPONSE] SWITCH IN [WIDE] POSITION.
 - [LINE METER] SWITCH S105 SHOWN IN [OFF] POSITION.
 - [FUNCTION] SWITCH SHOWN IN [OFF] POSITION.

FUNCTION SWITCH

POS	FUNCTION
1	OFF
2	STAND BY
3	AGC
4	MGC
5	CAL

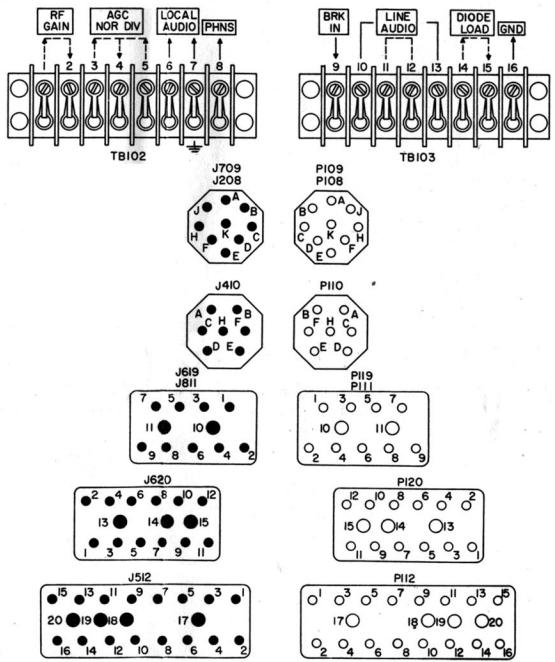


Figure 106. Continued